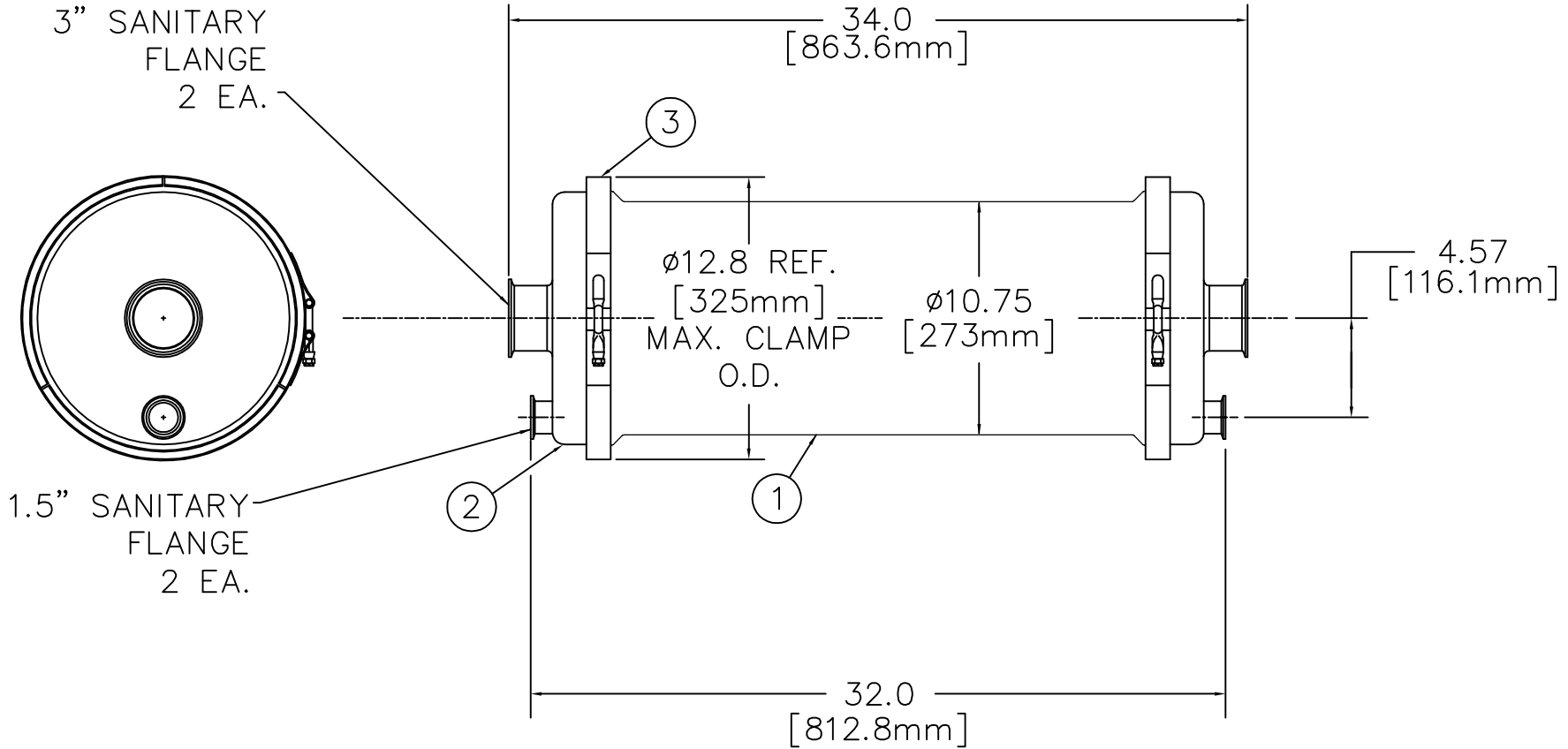


ITEM	REQ'D	DESCRIPTION	
1	1	VESSEL	RAW50495
2	2	ENDCAP	RAW50515
3	2	CLAMP	RAW50398



REV	DESCRIPTION	DATE	CHKD BY	APVD	APVD	D R

MEMBRANA
Underlining Performance

DO NOT SCALE THIS DRAWING	THIRD ANGLE PROJECTION	RECD	PART	DRAWING NUMBER	SHEET NO	DESCRIPTION	MATERIAL	REMARKS
		APPROVED FOR CONSTRUCTION			1 OF 1			
DRAWN BY: RSC	CHECKED BY:	SUPERSEDES			SCALE	SMC-0110-12-6039		REVISION
APPROVED BY:	APPROVED BY:	SUPERSEDES BY			NONE			0
						PLAN FILE NO	POCKET NO	FOLDER NO
DRAWING TITLE: 10X28 316L SS SANITARY ASSY								

REF MACHINE

PLOTTED: